



DTR.PCE.PRE-28 Safety(ENG)

APLISENS

MANUFACTURE OF PRESSURE TRANSMITTERS
AND CONTROL INSTRUMENTS

USER'S MANUAL





PRESSURE TRANSMITTERS
PCE-28 Safety, PCE-28 Ex Safety
DIFFERENTIAL PRESSURE TRANSMITTERS
PRE-28 Safety, PRE-28 Ex Safety

Edition B1

WARSAW MARCH 2023

APLISENS S.A., 03-192 Warsaw, Morelowa 7 st.
tel. +48 22 814 07 77; fax +48 22 814 07 78
www.aplisens.com, e-mail: export@aplisens.com

Symbol used

Symbol	Description
	Warning to proceed strictly in accordance with the information contained in the documentation in order to ensure the safety and full functionality of the device.
	Information particularly useful during installation and operation of the device.
	Information particularly useful during installation and operation of a type Ex device.
	Information on disposal of used equipment.

BASIC REQUIREMENTS AND SAFE USE



- **The manufacturer will not be liable for damage resulting from incorrect installation, failure to maintain the device in a suitable technical condition, or use of the device other than for its intended purpose.**
- Installation should be carried out by qualified personnel having the required authorizations to install electrical and pressure-measuring devices. The installer is responsible for performing the installation in accordance with these instructions and with the electromagnetic compatibility and safety regulations and standards applicable to the type of installation.
- Installation should be carried out by qualified staff having the required authorizations to install electrical and pressure-measuring devices. The installer is responsible for performing the installation in accordance with these instructions and with the electromagnetic compatibility and safety regulations and standards applicable to the type of installation.
- If a device is not functioning correctly, disconnect it and send it for repair to the manufacturer or to a firm authorized by the manufacturer.



In order to minimize the risk of malfunction and associated risks to personnel, the device is not to be installed or used in particularly unfavourable conditions, where the following dangers occur.

- possibility of mechanical impacts, excessive shocks and vibration;
- excessive temperature fluctuation;
- condensation of water vapour, dust, icing.



Installation of intrinsic safety versions should be performed with particular care, in accordance with the regulations and standards applicable to that type of installation.

Changes to the products manufacturing documentation may forestall a paper user updating. Current Instruction Manual is available at Producer [http. on www.aplisens.pl](http://www.aplisens.pl).

Version	Date	Description of changes	Note
1.0	03.2012		
Edition (-)	09.2012	Editorial changes.	The changes do not affect the level of functional safety of certified products.
Edition A	08.2015	Editorial changes. Changes related to updating Intrinsic safety certificates ATEX, IECEx.	
Edition B	11.2016	Editorial changes. Changes related to updating PED certificates.	
Edition B1	03.2023	Change of ATEX and IECEx marking.	

CONTENTS

I. APPENDIX Ex.01	2
II. APPENDIX Ex.02	6
1. INTRODUCTION	8
2. CONSIGNMENT CONTENTS	8
3. APPLICATIONS AND MAIN FEATURES	8
4. IDENTIFYING MARKS, ORDERING PROCEDURE	9
5. TECHNICAL DATA	10
5.1. PCE-28 SAFETY, PCE-28 Ex SAFETY- TECHNICAL DATA	10
5.2. PRE-28 SAFETY, PRE-28 Ex SAFETY- TECHNICAL DATA	10
5.3. PCE-28 SAFETY, PCE-28 Ex SAFETY, PRE-28 SAFETY, PRE-28 Ex SAFETY- COMMON PARAMETERS	10
5.4. PRESSURE CONNECTORS	11
5.5. DEGREE OF PROTECTION	11
6. CONSTRUCTION	12
6.1. FUNCTIONAL DESCRIPTION	12
6.2. SENSING MODULE	12
6.3. ELECTRONIC MODULE	12
6.4. CASING, ELECTRICAL CONNECTIONS	12
6.5. DIAPHRAGM SEAL CONNECTIONS	13
7. PLACE OF INSTALLATION OF TRANSMITTERS	13
7.1. GENERAL NOTE	13
7.2. LOW AMBIENT TEMPERATURE	13
7.3. HIGH MEDIUM TEMPERATURE	14
7.4. MECHANICAL VIBRATION, CORROSIVE MEDIA	14
7.5. ERRORS IN TRANSMITTER INSTALLATIONS IMPOSSIBLE TO DETECT BY THE SYSTEM FUNCTIONAL SAFETY	14
8. INSTALLATION AND MECHANICAL CONNECTIONS	14
9. ELECTRICAL CONNECTION	15
9.1. GENERAL RECOMMENDATIONS	15
9.2. CONNECTIONS FOR TRANSMITTERS WITH PD-TYPE CONNECTOR	15
9.3. CONNECTIONS FOR TRANSMITTERS WITH PK OR PM12-TYPE CONNECTOR	15
9.4. CONNECTIONS FOR TRANSMITTERS WITH TERMINAL BOX (PZ-TYPE CONNECTOR)	16
9.5. PROTECTION FROM EXCESS VOLTAGE	16
9.6. EARTHING	16
10. SETTING OF ZERO POSITION	17
11. SERVICES AND SPARE PARTS	17
11.1. PERIODIC SERVICE	17
11.2. UNSCHEDULED SERVICES	17
11.3. CLEANING THE DIAPHRAGM SEAL, OVERLOADING DAMAGE	17
11.4. SPARE PARTS	17
12. PACKING, STORAGE AND TRANSPORT	18
13. GUARANTEE	18
14. ADDITIONAL INFORMATION	18
14.1. RELATED DOCUMENTS	18
14.2. RELATED STANDARDS	18
15. FIGURES	19
FIG. 1. PCE-28 SAFETY, PRE-28 SAFETY SERIES TRANSMITTERS – BLOCK DIAGRAM	19
FIG. 2. WIRING DIAGRAMS FOR TRANSMITTERS WITH TERMINAL PD (NOT APPLICABLE TO Ex VERSION)	19
FIG. 3. PCE-28 SAFETY TRANSMITTER WITH PD, PK AND PM12 CONNECTORS: DIMENSIONS AND METHODS OF CONNECTION	20
FIG. 4. PCE-28 SAFETY TRANSMITTER WITH PZ CONNECTOR: DIMENSIONS AND CONNECTION METHOD	21
FIG. 5. M TYPE CONNECTOR WITH M20x1.5 THREAD	22
FIG. 6. P TYPE CONNECTOR WITH M20x1.5 THREAD	22
FIG. 7. CM30x2-TYPE CONNECTOR WITH FLUSH DIAPHRAGM WITH M30x2 THREAD	22
FIG. 8. PROCESS CONNECTIONS G1/2" AND G1"	23
FIG. 10. PRE-28 SAFETY DIFFERENTIAL PRESSURE TRANSMITTER WITH C TYPE PROCESS CONNECTION TO BE MOUNTED TOGETHER WITH VALVE MANIFOLD	25
FIG. 11. PRE-28 SAFETY DIFFERENTIAL PRESSURE TRANSMITTER WITH A SINGLE DIRECT DIAPHRAGM SEAL	26
FIG. 12. EXAMPLE: HOW TO INSTALL THE PRE-28 SAFETY DIFFERENTIAL PRESSURE TRANSMITTER	26
FIG. 13. EXAMPLE: HOW TO INSTALL THE PRE-28 SAFETY TRANSMITTER ON A VERTICAL OR HORIZONTAL PIPE	27
FIG. 14. EXAMPLE: HOW TO INSTALL THE PRE-28 SAFETY TRANSMITTER WITH A VALVE MANIFOLD TO A WALL	27
FIG. 15. POSSIBLE METHODS OF ISOLATING THE TRANSMITTER FROM HIGH TEMPERATURES	28
FIG. 16. ADDITIONAL EQUIPMENT FOR FITTING OF PRESSURE TRANSMITTERS	29

I. APPENDIX Ex.01



PRESSURE TRANSMITTER TYPE: PCE-28 Ex Safety/XX/YY,
DIFFERENTIAL PRESSURE TRANSMITTERS TYPE: PRE-28 Ex Safety/XX/YY,
Ex VERSIONS according to ATEX

1. Introduction

1.1. The „Appendix Ex.01” to DTR.PCE.PRE-28 Safety applies to PCE-28 Ex Safety/XX/YY, PRE-28 Ex Safety/XX/YY transmitters in Ex version according to ATEX, marked on the rating plate as shown in 2.2 and 3. and signed “Ex” in the Product Certificate only.

Extensions XX, YY after the marking product types apply to the types of pressure connections (XX) and electrical (YY) transmitters only and will not occur later in the documentation.

1.2. The appendix contains supplementary information relating to the Ex version transmitters. During installation and use of the Ex transmitters, reference should be made to DTR.PCE.PRE-28 Safety in conjunction with „Appendix Ex.01”.

2. Using of above transmitters in danger zones

2.1. The transmitters are produced in accordance with the requirements of the following standards:
EN 60079-0:2018, EN 60079-11:2012, EN 50303:2000.

2.2. The transmitters may operate in areas where there is a risk of explosion, in accordance with the rating of the explosion protection design:



I M1 Ex ia I Ma
II 1/2G Ex ia IIC T6/T5/T4 Ga/Gb
II 1D Ex ia IIIC T135°C Da
FTZU 12 ATEX 0193X

2.3. The transmitters with PM12 electrical connector are permitted only for potentially explosive gas atmospheres and are marked:



II 1/2G Ex ia IIC T6/T5/T4 Ga/Gb
FTZÚ 12ATEX 0193X

3. Identifying marks

Intrinsically safe transmitters (Ex version) must have a rating plate containing the information specified in paragraph 4 of DTR.PCE.PRE-28 Safety and also at least the following:

- CE mark and the notified body number: 1453;
- “Ex” mark, designation of explosion protection design, certificate number;
- values of parameters such as: Ui, li, Ci, Li;
- the type of process and electrical connectors;
- manufacture year;
- inscription: "Version SA" - for transmitters with the protection against overvoltage (surge arrester).

4. Consignment contents

Together with the transmitter are delivered:

- a) „product certificate”, which is also as the warranty card;
- b) declaration of Conformity;
- c) copies of certificates– on request;
- d) user’s manual „DTR.PCE.PRE-28 Safety”.

Items b), c), d) are available at <https://www.aplisens.com>.

5. Permissible input parameters (based on data from the FTZU 12ATEX 0193X certificates)



The transmitters should be powered via the associated power supplier and measurement devices provided with the relevant intrinsically safe certificates. The parameters of their outputs to the hazardous area should not exceed the limit power supply parameters specified below for the transmitters.

Transmitters in "SA" version and transmitters working in dust zone should be powered with galvanically isolated power supply. If there is no power supply with galvanic isolation, transmitter or connected to it metal parts must be properly grounded by implementing equipotential bonding or equipotential connection between the transmitter and the negative terminal of intrinsic safety Zener barrier.



The pressure transmitter an intrinsically safe apparatus with level of protection "ia", when supply circuit have level of protection "ia".

- a) Permissible input parameters for power supply with a linear characteristic:
 $U_i = 28 \text{ V DC}$; $I_i = 0,1 \text{ A}$; $P_i = 0,7 \text{ W}$
- b) Permissible input parameters for power supply with a "trapezoidal" and "rectangular" characteristic:
 $U_i = 24 \text{ V DC}$, $I_i = 0,1 \text{ A}$; $P_i = 1,2 \text{ W}$
- c) Input inductance and capacity:
 $C_i = 25 \text{ nF}^*$, $L_i = 0,4 \text{ mH}^*$

*It should take into account the capacity and inductance of the cable which in permanently connected cable are: $C_k = 0,2 \text{ nF/m}$ and $L_k = 1 \text{ } \mu\text{H/m}$.

Input capacitance C_w and input inductance L_w of the transmitters with PK electrical connections, taking into account the parameters of the permanently connected cable are accordingly:

$$C_w = C_i + a \cdot C_k = 25 \text{ nF} + a \cdot 0,2 \text{ nF/m}$$

$$L_w = L_i + a \cdot L_k = 400 \text{ } \mu\text{H} + a \cdot 1 \text{ } \mu\text{H/m}$$

a - length of the mounted permanently cable in meters

$T_a = -40^\circ\text{C}$ to ... see table Z1

Table Z1

$P_i[\text{W}]$	$T_a[^\circ\text{C}]$	Temperature classification
0,7	45	T6
	70	T5
	80	T4, Group I, Group III - 120°C
1,2	55	T5
	80	T4 Group I, Group III - 135°C

Special conditions for safe use:

- Ambient temperature range - see table Z1.
- Process temperature (medium) at the diaphragm of the transmitter must be in range of ambient temperature.
- In case of use the transmitter in dust atmosphere, supplying voltage could occur on transmitter enclosure. It should be taken into consideration during transmitter installation.
- In case of use titan parts in diaphragm seal, during installation and operation of the device, the diaphragm seal should be protected against mechanical impact.
- Version of transmitter with surge arrester, marked on the plate "Version SA", does not meet the requirements of Section 6.3.13 of the EN 60079-11:2012 (test of isolation 500 V AC). This must be taken into consideration during the installation of transmitter.
- In hazardous areas, transmitters with diaphragm seals covered with a PTFE layer, should be installed in places and in a manner preventing electrostatic charging.



At the customer's request, elements of diaphragm seal can be made of titanium. This version of the transmitter has information on the label that the titanium elements are used. Then user should secure the diaphragm seal against the possibility of an impact.



When medium temperature is higher than T_a , use of a separating elements such a diaphragm seal, or looped siphon tube etc. is necessary. Process temperature, close to the transmitter diaphragm seal, must be in the T_a range ($T_a =$ ambient temperature).

6. Supply examples

6.1. - for power supply with a linear characteristic

Power supply with a "linear" characteristic may be e.g. a typical barrier with parameters $U_o=28\text{ V}$ $I_o=0.093\text{ A}$ $R_w=300\ \Omega$ for $T_a \leq 80^\circ\text{C}$ and T5 or $T_a \leq 45^\circ\text{C}$ and T6.

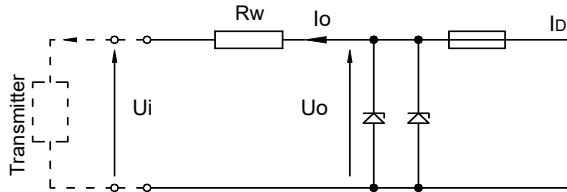


Fig.1. Power supply from a source with "linear" characteristic"

6.2. - for power supply with a trapezoidal characteristic

Example of power supply - $T_a \leq 80^\circ\text{C}$ and T4; or $T_a \leq 75^\circ\text{C}$ and T5
 $U_o=24\text{ V}$ $I_o=0,05\text{ A}$ $P_o = 1,2\text{ W}$

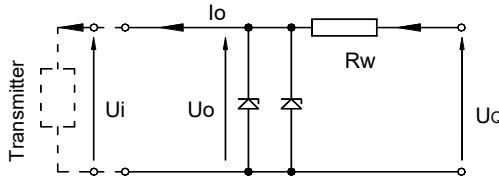


Fig.2. Power supply from a source with trapezoidal characteristic"

If $U_o \leq \frac{U_Q}{2}$ then parameters U_Q , I_o , P_o are interrelated as follows:

$$U_Q = \frac{4P_o}{I_o}, \quad R_w = \frac{U_Q}{I_o}, \quad P_o = \frac{U_o(U_Q - U_o)}{R_w}$$

6.3. - for power supply with rectangular characteristic

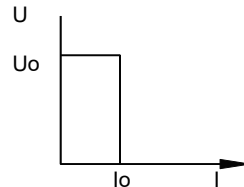
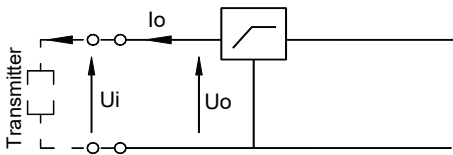


Fig.3. Power supply from a source with rectangular characteristic:

- a). $U_o = 24\text{ V}$ $I_o = 0,05\text{ A}$ $P_o = 1,2\text{ W}$ for $T_a \leq 75^\circ\text{C}$ and T5 or $T_a \leq 80^\circ\text{C}$ and T4, group I
- b). $U_o = 24\text{ V}$ $I_o = 0,025\text{ A}$ $P_o = 0,6\text{ W}$ for $T_a \leq 80^\circ\text{C}$ and T5 or $T_a \leq 45^\circ\text{C}$ and T6

The supply of power from a source with a rectangular characteristic means that the voltage of the Ex power supply remains constant until current limitation activates.

The protection level of power supplies with a rectangular characteristic is normally "ib".

The transmitter powered from a such supply is also the Ex device with "ib" level protection.

Example of practical provision of power supply with a rectangular characteristic:

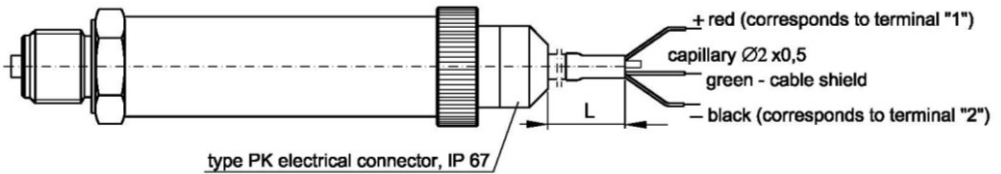
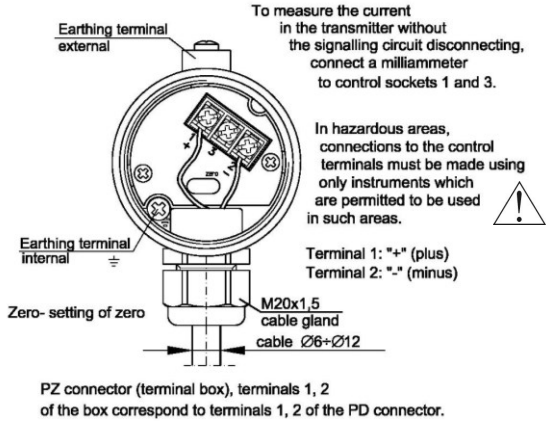
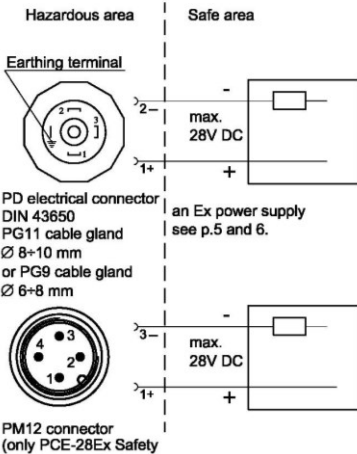
- use a stabilized power supply with $U_o=24\text{ V}$, with the "ib" level protection and current limited to $I_o=50\text{ mA}$ or $I_o = 25\text{ mA}$.

7. How to connect Ex transmitters Ex: PCE-28 Ex Safety/XX/YY, PRE-28 Ex Safety/XX/YY



The transmitter and other devices in the measuring loop should be connected in accordance with the intrinsic-safety and explosion-safety regulations and the conditions for use in dangerous areas.

Failure to observe the intrinsic-safety regulations can cause explosion and the resulting hazard to people.



It is not allowed to repair or otherwise interfere with the transmitter's electrical circuits in any way.

Damage and possible repair can be assessed and done by the manufactures or another authorized party only.

II. APPENDIX Ex.02

PRESSURE TRANSMITTER TYPE: PCE–28 Ex Safety/XX/YY,
DIFFERENTIAL PRESSURE TRANSMITTERS TYPE: PRE–28 Ex Safety/XX/YY,
Ex VERSIONS according to IECEx

1. Introduction

1.1. The „Appendix Ex.02” to DTR.PCE.PRE-28 Safety applies to PCE-28 Ex Safety/XX/YY, PRE-28 Ex Safety/XX/YY transmitters in Ex version according to IECEx, marked on the rating plate as shown in 2.2 and 3. and signed “Ex” in the Product Certificate only.

Extensions XX, YY in the marking product types apply to the types of pressure connections (XX) and electrical (YY) transmitters only and will not occur later in the documentation.

1.2. The appendix contains supplementary information relating to the Ex version transmitters. During installation and use of the Ex transmitters, reference should be made to DTR.PCE.PRE-28 Safety in conjunction with „Appendix Ex.02”.

2. Using of above transmitters in danger zones

2.1. The transmitters are produced in accordance with the requirements of the following standards: IEC 60079-0:2017 ed. 7.0, IEC 60079-11:2011 ed. 6.0.

2.2. The transmitters may operate in areas where there is a risk of explosion, in accordance with the rating of the explosion protection design:

Ex ia I Ma

Ex ia IIC T6/T5/T4 Ga/Gb

Ex ia IIIC T135°C Da

IECEx FTZÚ 13.0004X

2.3. The transmitters with PM12 electrical connector are permitted only for potentially explosive gas atmospheres and are marked:

Ex ia IIC T6/T5/T4 Ga/Gb

IECEx FTZÚ 13.0004X

3. Identifying marks

Intrinsically safe transmitters (Ex version) must have a rating plate containing the information specified in paragraph 4 of DTR.PCE.PRE-28 Safety(ENG) and also at least the following:

- values of parameters such as: Ui, li, Ci, Li;
- manufacture year;
- inscription: " Version SA "- for transmitters with the protection against overvoltage (surge arrester).

4. Consignment contents

Together with the transmitter are delivered:

- a) „product certificate”, which is also as the warranty card;
- b) declaration of conformity;
- c) copies of certificates— on request;
- d) user's manual „DTR.PCE.PRE-28 Safety(ENG)”.

Items b), c), d) are available at <https://www.aplisens.com>.

5. Permissible input parameters (based on data from the IECEx FTZÚ 13.0004X certificates)



The transmitters should be powered via the associated power supplier and measurement devices provided with the relevant intrinsically safe certificates. The parameters of their outputs to the hazardous area should not exceed the limit power supply parameters specified below for the transmitters.

Transmitters in "SA" version and transmitters working in dust zone should be powered with galvanically isolated power supply. If there is no power supply with galvanic isolation, transmitter or connected to it metal parts, must be properly grounded by implementing equipotential bonding or equipotential connection between the transmitter and the negative terminal of intrinsic safety zener barrier.



The pressure transmitter an intrinsically safe apparatus with level of protection “ia”, when supply circuit have level of protection “ia”.

- a) Permissible input parameters for power supply with a “linear” characteristic:
 $U_i = 28 \text{ V DC}$; $I_i = 0,1 \text{ A}$; $P_i = 0,7 \text{ W}$
- b) Permissible input parameters for power supply with a “trapezoidal” and “rectangular” characteristic:
 $U_i = 24 \text{ V DC}$; $I_i = 0,1 \text{ A}$; $P_i = 1,2 \text{ W}$
- c) Input inductance and capacity:
 $C_i = 25 \text{ nF}^*$, $L_i = 0,4 \text{ mH}^*$

*It should take into account the capacity and inductance of the cable which in permanently connected cable are: $C_k = 0.2 \text{ nF/m}$ and $L_k = 1 \text{ } \mu\text{H/m}$.

Input capacitance C_w and input inductance L_w of the transmitters with PK electrical connections, taking into account the parameters of the permanently connected cable are accordingly:

$$C_w = C_i + a \times C_k = 25 \text{ nF} + a \times 0.2 \text{ nF/m}$$

$$L_w = L_i + a \times L_k = 400 \text{ } \mu\text{H} + a \times 1 \text{ } \mu\text{H/m}$$

a - length of the mounted permanently cable in meters

$T_a = -40^\circ\text{C}$ to ... see table Z2

Table Z2

$P_i[\text{W}]$	$T_a[^\circ\text{C}]$	Temperature classification
0,7	45	T6
	70	T5
	80	T5, T4, Group I, Group III - 120°C
1,2	55	T5
	80	T4 Group I, Group III - 135°C

Special conditions for safe use:

- Ambient temperature range - see table Z2.
- Process temperature (medium) at the diaphragm of the transmitter must be in range of ambient temperature.
- In case of use the transmitter in dust atmosphere, supplying voltage could occur on transmitter enclosure. It should be taken into consideration during transmitter installation.
- In case of use titan parts in diaphragm seal, during installation and operation of the device the diaphragm seal should be protected against mechanical impact.
- Version of transmitter with surge arrester, marked on the plate “Version SA”, does not meet the requirements of Section 6.3.13 of the IEC 60079-11:2011 (test of isolation 500 V AC). This must be taken into consideration during the installation of transmitter.
- In hazardous areas, transmitters with diaphragm seals covered with a PTFE layer should be installed in places and in a manner preventing electrostatic charging.



At the customer's request, elements of diaphragm seal can be made of titanium. This version of the transmitter has information on the label that the titanium elements are used. Then user should secure the diaphragm seal against the possibility of an impact.



When medium temperature is higher than T_a , use of a separating elements such a diaphragm seal or looped siphon tube etc is necessary. Process temperature, close to the transmitter diaphragm seal, must be in the T_a range ($T_a =$ ambient temperature).

6. Supply examples

Supply examples according to p. 6. „Appendix Ex.01” – (ATEX).

7. How to connect Ex transmitters Ex: PCE–28 Ex Safety/XX/YY, PRE-28 Ex Safety/XX/YY

- according to p. 7 DTR.PCE.PRE-28. Appendix Ex.01

1. INTRODUCTION

1.1. This user's manual is intended for **PCE-28 Safety, PCE-28 Ex Safety** electronic pressure transmitters, **PRE-28 Safety, PRE-28 Ex Safety** differential pressure transmitters, containing data and hints indispensable to get acquainted with principles of operation and method of operation of the transmitters in the intrinsically safe execution with safety integrity level SIL-1.

It includes essential recommendations concerning installation and use, as well as emergency procedures.

PCE-28 Safety, PCE-28 Ex Safety series pressure transmitters and **PRE-28 Safety, PRE-28 Ex Safety** series differential pressure transmitters have **SIL-1** certificate for applications in the safe operation systems for **continuous operation/with often or rare calling** according to the standard **PN-EN 61508** issued by the notified body UDT; 02-353 Warsaw, Szczęśliwicka 34 St. Copies of the SIL certificates can be found on <https://www.aplisens.com>.



PCE-28 Safety and **PRE-28 Safety** series transmitters fulfil the requirements of standards: **EN 61508-1:2004, EN 61508-2:2005, EN 61508-3:2004, EN 61511-1:2007, EN 62061:2008** for safety integrity level **SIL-1** with equipment defects tolerance **HFT=0** for safety function performing pressure and differential pressure measurement. Wherefore can be used in the protective installations or installations, where conformity with machine directive within the scope of functional safety of electric, electronic and electronic programmable control systems connected with the safety, is required.



1.2. Additional data on **PCE-28 Ex Safety, PRE-28 Ex Safety** transmitters in Ex versions covered by the common EC-type test certificate **FTZU 12ATEX 0193X** are contained in the appendix designated DTR.PCE.PRE-28 Safety Appendix Ex.01.

During installation and use of **PCE-28 Ex Safety, PRE-28 Ex Safety** transmitters, reference should be made to DTR.PCE.PRE-28 Safety in conjunction with Appendix Ex.01.

1.3. Additional data on **PCE-28 Ex Safety, PRE-28 Ex Safety** transmitters in Ex versions covered by the common EC-type test certificate **IECEx FTZU 13.0004X**, are contained in the appendix designated DTR.PCE.PRE-28 Safety Appendix Ex.02.

During installation and use of **PCE-28 Ex Safety, PRE-28 Ex Safety** transmitters, reference should be made to DTR.PCE.PRE-28 Safety in conjunction with Appendix Ex.02.

1.4. Technical literature for the **PCE-28 Safety, PRE-28 Safety** series transmitters with diaphragm seal connectors and technical data for seals are contained within a separate catalogue.

1.5. The transmitters comply with the requirements of EU directives as shown on the plate and with the relevant Declaration of Conformity.

2. CONSIGNMENT CONTENTS

Transmitters are delivered in single and/or multiple packs.

Together with the transmitter are delivered:

- product certificate, which is also as the warranty card;
- declaration of conformity - on request;
- copies of certificates – on request;
- user's manual „DTR.PCE.PRE-28 Safety“.

Items b), c), d) are available at <https://www.aplisens.com>.

3. APPLICATIONS AND MAIN FEATURES

3.1. The **PCE-28 Safety, PCE-28 Ex Safety** pressure transmitters are designed to measure gauge pressure, vacuum pressure and absolute pressure of gases, vapours and liquids (including corrosive).

The **PRE-28 Safety, PRE-28 Ex Safety** differential pressure transmitters are used to measure liquid levels in closed tanks, and to measure differential pressure at filters, orifices and others.

The **PRE-28 Safety, PRE-28 Ex Safety** differential pressure transmitters with P type connectors are designed to work with static pressure of up to 4 MPa only (see fig. 9).

The **PRE-28 Safety, PRE-28 Ex Safety** differential pressure transmitters with C type vented connectors to mount together with a valve manifold are designed to work with static pressure of up to 25 MPa (see fig.10).



3.2. The **PCE-28 Safety**, **PCE-28 Ex Safety** can be fitted with a range of additional process connectors, enabling them to be used in a conditions variety, such as dense media, reactive media, high and low temperature etc.

Data on these connectors can be found in the catalogue cards "DIAPHRAGM SEALS".

To measure a medium which contains suspensions or impurities or is viscous, hot, corrosive etc., use the **PRE-28 Safety**, **PRE-28 Ex Safety** transmitter with a single diaphragm seal.

3.3. The **PCE-28 Safety**, **PRE-28 Safety** series transmitters generate a 4...20 mA signal using two-wire transmission.

4. IDENTIFYING MARKS, ORDERING PROCEDURE

4.1. Every transmitter and probe carries a rating plate containing at least the following information: CE mark, manufacturer name, type, marking of electrical and process connections, manufacturer name, measurement range, permissible static pressure (for PRE-28 Safety only), output signal, power supply voltage.

4.2. The rating plates of **PCE-28 Safety**, **PRE-28 Safety** series transmitters contain: number of safety integrity levels (SIL1), the notified body number UDT-CERT and 505/CW/001/07- certificate number.

4.3. The **PCE-28 Safety**, **PRE-28 Safety** series transmitters in accordance with the ATEX directive, have additional marks as described in DTR.PCE.PRE-28 Safety Appendix Ex.01 paragraph 3.



4.4. The **PCE-28 Safety**, **PRE-28 Safety** series transmitters in accordance with the IECEx requirements, have additional marks as described in DTR.PCE.PRE-28 Safety Appendix Ex.02 paragraph 3.

4.5. Within the meaning of Directive 2014/68/EU (PED), the transmitters are designed to category I, module A. PED marking does not apply to additional equipment of the transmitters i.e. separators, valves, connectors, impulse tubes, etc. In the manufacturer's EU declarations of conformity the transmitters, as designed above, have the CE markings. The transmitters with permissible pressure 200 bar and lower are manufactured in accordance with good engineering practice according to article 4 point 3 of Directive 2014/68/EU.

APLISENS [®]		CE	<input type="checkbox"/>
APLISENS S.A.		www.aplisen.com	
TYPE: PCE-28 Safety/ XX/ YY			
# S/N:			
→ P:			
→ U:			
→ 4...20 mA			
Year of production: . . .		IP. .	
→ PS:		→ PT:	
→ TS:			
PED, Module A, pressure accessory			
SIL 1 UDT-CERT No.....			
Aplisen S.A. Morelowa 7 st. 03-192 Warsaw			

The designations to be used when ordering can be found in the Catalogue Cards

5. TECHNICAL DATA

5.1. PCE-28 Safety, PCE-28 Ex Safety- technical data

5.1.1. PCE-28 Safety, PCE-28 Ex Safety- measurement ranges

The PCE-28 Safety, PCE-28 Ex Safety transmitter can be produced with any desired range in the interval:
 0...10 mbar ÷ 0...1000 bar (over pressure, under pressure);
 400 mbar ÷ 80 bar (absolute pressure).

Recommended standard ranges:

- over, under pressure (0 ÷ -1; -0,4; -0,1; 0,1; 0,4; 1; 2,5; 6; 10; 16; 25; 60; 160; 250; 400; 600; 1000) bar;
- absolute pressure (0 ÷ 0,4; 1; 2,5; 6; 10; 16; 25; 60) bar.

5.1.2. PCE-28 Safety, PCE-28 Ex Safety- operating parameters

Table 1.	Measurement Range		
	100 mbar (10 kPa)	400 mbar (40kPa)	0...1 ÷ 1000 bar (0...100 kPa ÷ 100 MPa)
Overpressure limit (repeatable, no hysteresis)	1 bar (100 kPa)	2,5 bar (250 kPa)	4 x range max 1200 bar (120 MPa)
Damaging overpressure	2 bar (200 kPa)	5 bar (500 kPa)	8 x range, max 2000 bar (200 MPa)
Accuracy	0,3%	0,2%	(0,16%- special version)
Thermal error	typically 0,3% / 10°C; max 0,4% / 10°C		typically 0,2% / 10°C; max 0,3% / 10°C
Long term stability	0,2% / year	0,1% / year	
Hysteresis and repeatability	0,05%		

5.2. PRE-28 Safety, PRE-28 Ex Safety- technical data

5.2.1. PRE-28 Safety, PRE-28 Ex Safety- measurement ranges

The PRE-28 Safety, PRE-28 Ex Safety differential pressure transmitters are manufactured with any desired range in the interval
 1,6 mbar to 25 bar.

Recommended ranges:
 0,4; 1; 2,5; 6; 10; 16; 25 bar;
 (-0,1...0,1); (-1...1) bar.

5.2.2. PRE-28 Safety, PRE-28 Ex Safety- operating parameters

Table 2.	Measurement Ranges			
	100 mbar (10 kPa)	1 bar (100 kPa)	2 bar (200 kPa)	25 bar (2500 kPa)
Overpressure limit Static pressure limit	250 bar (25 MPa) [40 bar (4 MPa) for P type connector]			
Accuracy	0,4%	0,25%		
Thermal error / 10°C	typical 0,3%, max 0,4%	typical 0,2%, max 0,3%		
Zero shift error for static pressure*	0,1% / 10 bar (1 MPa)			
Hysteresis and repeatability	0,05%			

*- This error can be eliminated by zeroing the transmitter in static pressure conditions with zero differential pressure

5.3. PCE-28 Safety, PCE-28 Ex Safety, PRE-28 Safety, PRE-28 Ex Safety- common parameters

5.3.1. Electrical parameters

Power supply for non - intrinsically safe versions 10,5÷36 V DC, rated 24 V DC (for output signal 4÷20 mA)

Power supply for – intrinsically safe versions in accordance with **Appendix Ex.01 or Appendix Ex.02***

Output signal 4 ÷ 20 mA two-wire transmission

Error due to supply voltage changes 0,005 % / V

Voltage for insulation strength testing 75 V AC (110 V DC) or 500 V AC (750 V DC), see p. 9.5.

Excess voltage protection see p. 9.5.

5.3.2. Permitted environmental conditions

Ambient temperature limit	-40 ÷ 80°C (for PCE-28 Safety, PCE-28 Ex Safety)
Ambient temperature limit	-25°C ÷ 80°C (for PRE-28 Safety, PRE-28 Ex Safety)
Process temperature limit	-40 ÷ 120°C – direct measurement, over 120°C, only with the use of a diaphragm seal, radiator, looped siphon tube or impulse line.

Operating temperature range and medium temperature for intrinsically safe versions in accordance with Appendix Ex.01 or Appendix Ex.02.

Thermal compensation range	-10÷80°C (for PCE-28 Safety, PCE-28 Ex Safety) or by arrangement
Thermal compensation range	0 ÷ 70°C (for PRE-28 Safety, PRE-28 Ex Safety) or by arrangement
Relative humidity	0 ÷ 98%
Vibration during operation	max 4 g
Safety integrity level; type of operation:	
continuous/frequent or rare calling	SIL 1 according to EN 61508
Primary alarms levels	low (LO) <3,3 mA** or high (HI) >22 mA

**) - set by the manufacturer.

5.3.3. Construction materials

Diaphragm	1.4435 (316L) Hastelloy (for PCE-28 Safety and PCE-28 Ex Safety only) (not applicable to PED version)
Sensing module	1.4404 (316L)
Casing for electronic parts	Steel pipe, 1.4301 (304)
PZ type terminal box	Thick steel pipe, 1.4301 (304)
Angular connector, DIN 43650, PD type	Itamide
Internal sensor liquid fill	Silicone oil, chemically inactive liquid for measurement of oxygen
Cable shield in PK connector	Polyurethane, special version – Teflon

5.4. Pressure connectors

5.4.1. PCE-28 Safety, PCE-28 Ex Safety- pressure connectors

- M type connector with M20x1.5 thread – see figure 5a.
- P type connector with M20x1.5 thread – see figure 6a.
- CM30x2 or CM20x1.5 type connector with flush diaphragm – see figure 7a.
- RM type connector with M20x1.5 thread and radiator.
- G1/2 type connector with G1/2" thread – see figure 8a.
- GP type connector with G1/2" thread.
- CG1/2 type connector with G1/2" thread and flush diaphragm – see figure 8c.
- CG1 type connector with G1" thread and flush diaphragm – see figure 8e.
- RG type connector with G1/2" thread and radiator.
- 1/2"NPT type connector with 1/2"NPT tread (male) and with internal G1/4" tread (female).

5.4.2. PRE-28 Safety, PRE-28 Ex Safety- pressure connectors

- P type connectors with M20x1.5 thread – see fig. 9.
- C type connector to mount together with a valve manifold see fig. 10.
- Diaphragm seal connectors: see the "Information Cards" for the diaphragm seals.

5.5. Degree of protection

according to EN 60529:2003

- IP65 - PCE-28 Safety, PRE-28 Safety** series transmitters with PD type connector, DIN 43650, PG-11 cable gland.
- IP66 - PCE-28 Safety, PRE-28 Safety** series transmitters with PZ type terminal box, M20x1.5 cable gland.
- IP67 - PCE-28 Safety, PCE-28 Ex Safety** with PK or PM12 type cable connector.

6. CONSTRUCTION

The basic component of the transmitter are: casing, sensing module (in which the input pressure is converted into an electrical signal) and electronic unit which amplifies and standardizes the output signal.

6.1. Functional description

The PCE–28 Safety, PRE–28 Safety series transmitters operate by converting changes in the piezoresistive bridge, which are proportional to the measured pressure, into a standard current output signal.

The active sensing device is a silicon diaphragm with diffused piezoresistors, separated from the medium by an isolating diaphragm and manometric oil.

Measuring part of the PCE–28 Safety, PRE–28 Safety series transmitter is composed of the following elements (Figure 1):

- (1) piezoresistive pressure sensor;
- (2) resistor intended for measurement of temperature of sensing module structure;
- (3) input low-pass filter;
- (4) conditioning system - PGA309;
- (5) EEPROM memory containing correction coefficients;
- (6) low-pass filter and control system of offset;
- (7) power supply, stabilisation systems;
- (8) voltage/current converter - XTR116;
- (9) EMI anti-overvoltage and anti-noise systems.

Electric signal from piezoresistive pressure sensor (1) through low-pass passive filter RC (3) is provided to input of PGA309 (4) system. In PGA309 (4) system the measuring signal is provided to input of amplifier with amplification and offset depending on temperature of the pressure Voltage on resistor RT (2) - proportional to temperature of the sensor - is provided to input of the ADC converter located in the structure of the PGA309 (4) system. Proper algorithm implemented in the PGA309 sensor, depending on the measured temperature, controls coefficients downloaded from the cooperating EEPROM memory (5) controlling amplifications of line of the external PGA309 (4) amplifiers. As a result - non-linearities of the piezoresistive pressure sensor (1) in function of temperature are properly compensated and we will obtain on PGA309 (4) output a linearized electric signal, temperature compensated, proportional to the pressure.

Output voltage is provided successively on low-pass RC filter and analogue control system of the offset (6). Then tuned voltage signal is provided to voltage/current converter (8) module and through a stage of EMI filters and overvoltage protections is provided as standardised current signal - available on the terminals of the transmitter. Proper supply of the transmitter systems is ensured by system of supply and stabilization of voltage (7).

Diagnostics systems - comparators connected to the appropriate points of the system - are in the structure of PGA309 (4) system. It allow to detect external, as well as internal, failure states with respect to the PGA309 (4) system. Failure states are signalled by alarm current which values, depending on the customer's requirements are below 3.3 mA, $I_{wy} < 3.3 \text{ mA}$ (LO) or above 22.0 mA, $I_{wy} > 22.0 \text{ mA}$ (HI). Values or alarm currents are outside the zone of normal operation of the transmitter.

6.2. Sensing module

The sensing module is part of a transmitter equipped with the silicone measuring membrane. This membrane is located in the space filled with silicone oil, closed from one side with seal wire lead outs isolated with glass and from the second side with separating membrane separated sensor unit from the medium (PRE-28 Safety series transmitters have two separating membranes).

Sensing modules can be equipped with pressure connectors, see point 5.4.

In case of PRE-28 Safety series the sensing module is equipped with two type P connectors (fig. 9) or type C process connectors (fig. 10) intended for assembly on the block valve.

6.3. Electronic module

Electronic module is composed of the systems which are intended to amplify and standardise output signal ($4 \pm 20 \text{ mA}$). Electronic unit is equipped with potentiometer with "zero" set, enabling to move conversion characteristics upwards or downwards within the limits $\pm 3\%$.

6.4. Casing, electrical connections

Casing of PCE-28 Safety and PRE-28 Safety series differential pressure transmitters are made of 304 or 316 stainless steel. Wetted surfaces are made of 316L stainless steel. Interior of the casing is filled with silicone gel of allowable operating temperature equal to 200°C. Construction of the casing is welded.

6.4.1. The casing of the **PCE-28 Safety**, **PRE-28 Safety** series transmitters, made from $\varnothing 27$ pipe, is permanently mounted on the sensing module as shown in figure 3a. On the other side is a **PD** type electrical connector (see fig. 3a). By unscrewing and removing the connector, access can be gained to the potentiometers used to the zero setting. **PCE-28 Safety** and **PRE-28 Safety** series transmitters with **PD** connector are equipped with external earthing terminal acting as a functional earthing.

6.4.2. The **PCE-28 Safety**, **PRE-28 Safety** series transmitters may be fitted with a **PK** cable connector (see figure 1b, 9) or **PM12 (PCE-28 Safety)** (see figure 3d), mounted similarly to the **PD** connector. The body of the connector contains a permanently fixed and sealed cable of standard length 3 m (other lengths can be produced to order). The cable contains a capillary, which connects one side of the measuring diaphragm to the atmosphere.

6.4.3. The **PCE-28 Safety**, **PRE-28 Safety** series transmitters with a **PZ** type connector has a terminal box permanently mounted on the upper part of the casing (figure 4). The box is closed with a lid. Mounted, on the inside, a terminal block equipped is with additional control terminals, connected to 1, 2 and 3 terminals. Transmitter with **PZ** connector is equipped with terminals: internal and external (for Ex version only), which allow connecting equalization line or connect protective earthing.

6.5. Diaphragm seal connections

For the measurement of media dense, chemically reactive, high temperature transmitters can be fitted in the diaphragm seal connectors further, in various embodiments, depending on the type of medium and operating conditions.

7. PLACE OF INSTALLATION OF TRANSMITTERS

7.1. General note

7.1.1. The **PCE-28 Safety**, **PRE-28 Safety** series transmitters can be installed both indoors and outdoors.

It is recommended that transmitters intended for outdoor use be placed under cover.

There is no need for a cover in the case of transmitters with **PZ** and **PK** type connectors.

7.1.2. The place of installation should be chosen in such a way as to allow access to the device and to protect it from mechanical damage. In planning the installation of the transmitter and configuration of the impulse lines, attention should be paid to the following requirements:

- The impulse lines should be as short as possible, with a sufficiently large cross-section, and free of sharp bends, in order to prevent blockages.
- Where the medium is a gas, the transmitters should be installed above the measuring point, so that condensation flows down towards the tapping point. Where the medium is a liquid or where a diaphragm seal used, the transmitters should be installed below the tapping point.
- The impulse lines should be inclined at a gradient of at least 10 cm/m.
- The levels of filling liquid in the impulse lines should be equal or kept constant difference.
- The configuration of the impulse lines and the valve connection system should be chosen with regard to the measurement conditions and to requirements such as the need to reset the transmitters in position and the need for access to the impulse lines during water or gas removal and flushing.



7.1.3. Transmitters should be protected from physical damage. Should the installation location danger the integrity of the process connection or the electrical connection causing leaking medium or the possibility of sparking a more appropriate location should be selected for the transmitter.



7.2. Low ambient temperature



When the solidification point of the liquid whose pressure is being measured is higher than the ambient temperature, steps should be taken to protect the measurement apparatus from freezing effects.

This is particularly important in the case open-air installations.

Protection by filling the impulse lines with a ethylene glycol and water mixture or another liquid whose solidification point ensures the working temperature is not exceeded. The transmitter case and electrical connection protects the transmitter from short exposure to low temperatures only. Where the temperature is very low, the transmitter and impulse lines should be heated.

7.3. High medium temperature

The **PCE-28 Safety**, **PRE-28 Safety** series transmitters may be used to measure media with temperatures of up to 120°C. To protect the sensing module from temperatures in excess of 120°C, suitably long impulse lines are used to disperse the heat and to lower the temperature of the module.

Where it is not possible to use impulse lines of the required length, **PCE-28** transmitters with remote diaphragm seals should be used (see catalogue cards "DIAPHRAGM SEALS").



Data as per Appendix Ex.01 or Appendix Ex.02 apply for the Ex version.

7.4. Mechanical vibration, corrosive media

7.4.1. Transmitters should correctly work with vibrations with amplitudes to 1,6 mm and accelerations to 4g. If strong vibrations are carried via the pressure line use should be made of flexible lines or transmitters with a remote diaphragm seal.



7.4.2. Transmitters should not be installed in places where the diaphragm, made of 1.4435 (316L) steel, would be subject to corrosion by the medium being measured.

If possible, transmitters with diaphragms made of Hastelloy C276 should be used, or other means of protection applied (e.g. in the form of a separating liquid) or transmitters with diaphragm seals adapted for measuring aggressive mediums according to catalogue cards "DIAPHRAGM SEALS") should be used.

7.5. Errors in transmitter installations impossible to detect by the system functional safety

Internal transmitter diagnostic system cannot detect faults associated with the process or improper installation configuration.

Some irregularities impossible to detect by the transmitter:

- using the wrong, inconsistent with the documentation, the transmitter power supply (supply voltage range, pulsation, excessive reduction or breaks in power supply);
- working at temperatures outside the range of transmitter compensation temperature;
- clogging of the capillaries, tubing or impulse lines;
- air in the lines (liquid pressure measurements) or condensate in lines (gas pressure measurements);
- failure after mounting pressure zeroing the low pressure transmitters;
- pressure measurement process medium containing hydrogen;
- unsealing or deformation of pressure sensor diaphragm (e.g. rupture, corrosion, damage from solid particles contained in the process medium or damage caused during cleaning).

8. INSTALLATION AND MECHANICAL CONNECTIONS

8.1. The **PCE-28 Safety**, **PCE-28 Ex Safety** can be mounted directly on rigid impulse lines.

Where connectors are used as in figures 5a, 6a, 7a, 8a, 8c, 8e it is recommended that connection sockets be used as shown in figure 5b, 6b, 7b, 8b or 7c, 8d, 8f.

Where the connectors are as in figures 6a, 7a, 8c and 8e rectangular gaskets are used with each transmitter.

The socket shown as in figure 7c, 8d and 8f can be obtained from the manufacturer.

The material of the seal is selected based on the pressure value and the type and temperature of the medium.

If the pressure is applied via a flexible plastic tube, the transmitter should be mounted on a support with Red Ø6-M reduction.

The types of the impulse tubes are to be selected depending on the measured value of the pressure and the medium temperature.

8.2. The **PRE-28 Safety**, **PRE-28 Ex Safety** transmitters can be mounted directly on rigid impulse lines.

To connect the basic versions of transmitters, with two M20x1.5 stubs (P type connector), one can use (for example) straight connecting elements with nuts.

If the pressure is carried via a flexible plastic tube, use an reduction elements "Red Ø6-M" (M20x1.5 / Ø6).

The **PRE-28 Safety**, **PRE-28 Ex Safety** transmitters can be installed using the Assembly Kit, on a ø25 pipe or on a flat surface using an angle bracket (figure 12).

The **PRE-28 Safety**, **PRE-28 Ex Safety** with connecting cover (C type connector) are designed for installation on 3-valve or 5-valve manifolds, to a 2" pipe or to a flat surface using an fastener C2 (fig. 13) or "U" (fig. 14).

8.3. The **PCE-28 Safety, PRE-28 Safety** series transmitters can operate in any position.

When installed on an object with a high-temperature medium, it is advantageous to mount the transmitter in a horizontal position with the cable gland pointing downwards or to the side, in such a way that the transmitter is kept away from the stream of rising hot air.

Examples of the use of Aplisens assembly components to isolate the **PCE-28 Safety, PCE-28 Ex Safety** transmitters from high temperature media are shown in figure 15.

When the measurement range is small, the reading can be affected by the position of the transmitter and by the configuration of the impulse lines and the way in which they are filled with liquid.

This error can be corrected using the zero-setting function.

8.4. In selecting assembly components, it may be helpful to consult information on Aplisens connection elements, reduction elements, sockets, valves, reduction clamps and signal tubes.

Information on this subject can be found in the catalogue cards "FITTING ACCESSORIES".

Pressure may be transmitted to the installed device only after checking that it has a measurement range which properly corresponds to the value of the measured pressure, that gaskets have been properly selected and fitted, and the connector has been properly screwed tight.

Attempts to undo the screws or fixing connector pipes on a transmitter under pressure may cause the medium to leak and create hazards for the personnel.



When disassembling the transmitter, it is necessary to disconnect it from the process pressure or bring the pressure to atmospheric level and to take particular care and precautions in case of media which are highly reactive, caustic, explosive or otherwise hazardous to personnel.

If necessary, rinse out this part of the system.



Transmitters with flange diaphragm seals are to be installed on the corresponding counter flanges.

It is recommended that the user matches the screw joints material to the pressure, temperature, flange material and seal to ensure tightness of the flange joint in the expected operating conditions.

Coarse-threaded screws complying with ISO 261 are to be used for flanges used in the transmitters.

Additional data concerning the diaphragm seals are specified in the catalogue cards "DIAPHRAGM SEALS".

9. ELECTRICAL CONNECTION

9.1. General recommendations

It is recommended that twisted pair cabling be used for the signal lines. If the transmitter and signal line are subject to a large amount of electromagnetic interference, then screened twisted pair cable should be used.

The signal wires should not run alongside network power supply cables or near to large electrically-powered devices.

The devices used together with the transmitters should be resistant to electromagnetic interference from the transmission line in accordance with compatibility requirements.

It is also beneficial to use anti-interference filters on the primary side of the transformers, the power supplies used for the transmitters and apparatus used in conjunction with them.

9.2. Connections for transmitters with PD type connector

The **PCE-28 Safety, PRE-28 Safety** series transmitter fitted with **PD** type connectors are to be connected as shown in diag. 2.

To make the connections, remove the terminal block from the contact pins together with its cover.

Then remove the block from its cover, levering it off with the end of a screwdriver inserted into the slot provided for this purpose. Connect the wires to the block.



Where the isolation of the wires in the cable gland is ineffective (for example, when single wires are used) the opening of the gland should be carefully sealed with an elastic sealing compound to obtain IP65 ingress protection. It is useful to form the segment of the signal wire leading to the PG-11, PG-9 cable gland into a protective loop to prevent condensation from running down in the direction of the gland.

9.3. Connections for transmitters with PK or PM12 type connector

The **PCE-28 Safety, PRE-28 Safety** series transmitter with **PK** connector or **PCE-28 Safety, PCE-28 Ex Safety** transmitter with **PM12** connector should be connected via a terminal box, in which the transmitter's cable is joined to the remainder of the signal line.

The terminal box must not be completely airtight, as the transmitter must be able to "breathe" through a capillary in the connector cable.

9.4. Connections for transmitters with terminal box (PZ type connector)

The **PCE–28 Safety, PRE–28 Safety** series transmitters with **PZ** type connectors should be connected by linking the signal wires to a terminal block, as shown in figure 4. Carefully screw in the cover and cork of the cable gland, making sure that the wire is tightly packed.

Special version, on request, the connection to the atmosphere through the capillary in the connection cable.

9.5. Protection from excess voltage

9.5.1. The transmitters may be in danger from excess voltage caused by connection faults or atmospheric electrical discharge.

Protection from excess voltage between the wires of the transmission line is provided by TVS diodes installed in all types of transmitter (see the table, column 2).

9.5.2. Protection from overvoltage

Transmitters in normal version and “ExSA” version:

In order to protect against excess voltage between the transmission line and the casing or earth (not prevented by the diodes connected between the transmission wires), additional protection is provided in the form of plasma surge arresters (see the table, column 3).

Transmitters in “Ex” version - without protection:

Also external protective devices may be used, e.g. the UZ-2 Aplisens system, or others. When the transmission lines are long, it is advantageous to use one protective device near the transmitter (or inside it) and another near entry points to devices used in conjunction with it.

Table 3. Internal protection of transmitters

1	2	3
Type of transmitter and type of electrical connector	Protection between wires (TVS diodes) – permitted voltage	Protection between wires and earth and/or casing – type of protection, permitted voltage
PCE–28 Safety, PRE–28 Safety series transmitters with PZ connector	39 V DC	Plasma surge arresters – 230 V DC Version „SA”
PCE–28 Safety, PRE–28 Safety series transmitters with PD, PK connector	39 V DC	Plasma surge arresters – 230 V DC Version „SA”
PCE–28 Safety, PCE–28 Ex Safety with PM12 connector	39 V DC	Plasma surge arresters – 230 V DC

9.5.3. The voltage in the protective elements must not exceed the maximum permitted values given in columns 2 and 3 of the above table.



The insulation test voltages (500 V AC or 750 V DC) given in 5.3.1 for transmitters intrinsically safe the version without surge arresters.

9.6. Earthing

Transmitters, each solution, has terminals or wires for grounding that should be used in accordance with the design documentation installations. Shields of connecting cables are wired to the user's disposal. Do not use the cable shield to the grounding system, the cable shield should be connected only from one side: to a grounded transmitter or to the ground terminal in the plant. If transmitter, through the process connection, has a certain galvanic connection to a well-grounded metal pipeline or tank, additional grounding is not necessary.

10. SETTING OF ZERO POSITION

The transmitter is factory regulated for the measurement range stated in the order. After it has been installed, it may become necessary for the zero position to be changed. The way of gaining access to the control "zero" knob is described in 6.6.

To perform the regulation, connect and power supply the transmitter in accordance with its technical parameters.

Supply a pressure equal to the lower limit of the measurement range and make the output signal equal to 4 mA by turning the "zero" potentiometer. Turn the knob to the right to increase the output signal.

Recheck the zero position, and repeat the procedure if necessary.



User by turning the potentiometer can change "zero" within the limits of $\pm 3\%$.

11. SERVICES AND SPARE PARTS

11.1. Periodic service

Periodic service should be made in accordance with the regulations to which the user is subject.

During inspection, the pressure connectors should be checked for loose connections and leaks, the electrical connectors should be checked with regard to tightness and the state of the gaskets, and the diaphragm seals should be checked for tarnishing and corrosion. Calibration and output should also be checked.

11.2. Unscheduled services

If the transmitters or probes are installed in a location where they may be exposed to mechanical damage, excess pressure, hydraulic impulses, excess voltage or the diaphragm may be in danger from sedimentation, crystallization or erosion, inspections should be carried out as required.



The diaphragm should be inspected and cleaned, the protective diodes should be checked for shorting and the calibration and output should be checked.

Where it is found that the signal in the transmission circuit is lost or its value is incorrect, a check should be made on the circuit and its terminal connections. Check whether the values of the supply voltage and load resistance are correct. If the circuit is in order, check the operation of the transmitter.

After checks have been made, take steps to eliminate the faults detected.

11.3. Cleaning the diaphragm seal, overloading damage

11.3.1. Sediment and dirt which have formed on the diaphragm in the course of operation must not be removed by mechanical means, as this may damage both the diaphragm and the transmitter itself.

The only permitted method is the dissolving of sediment.



In connection with the stubs of M, G 1/2" can be mounted gland.

Before membrane cleaning, must unscrew the gland (see figure 5a and 8a).

11.3.2. Sometimes transmitters malfunction due to damage caused by overloading, e.g. in case of:



- application of excessive pressure;
- freezing or solidification of the medium,;
- action of a hard object, such as a screwdriver, on the diaphragm.

Usually in such cases the symptoms are such that the output current falls below 4 mA or rises above 20 mA, and the transmitter fails to respond to input pressure.

11.4. Spare parts

The following transmitter parts may need replacing due to damage or normal wear:

- PD connector – terminal block with angular cover and seal, connector base with seal, rating plate, case;
- PK connector – the entire connector;
- PZ connector – cover seal and cable gland.



Other parts, due to their special characteristics and anti-explosive requirements, may be replaced only by the manufacturer or an authorised firm.

12. PACKING, STORAGE AND TRANSPORT

The transmitters should be packed singly or in sets, in such a way as to protect them from damage during transportation.

The transmitters should be stored in multiple packs under cover, in a place free of vapours and reactive substances, with temperature and humidity not exceed the limits specified in p. 5.3.2.

Transmitters with uncovered diaphragm or seal connectors, stored without packaging, should have covers to prevent damage to the diaphragm.

During transportation, the transmitters should be packed and secured so as to prevent them from shifting.

Any means of transport may be used, provided direct atmospheric effects are eliminated.

13. GUARANTEE

Manufacturer warrants under the conditions specified in the Product Certificate which is also a guarantee card.

14. ADDITIONAL INFORMATION

The manufacturer reserves the right to make constructional and technological changes which do not lower the quality of the transmitters.

14.1. Related documents

Catalogue Cards "Diaphragm seals".

14.2. Related standards

PN-EN 60529:2003	Degrees of protection provided by enclosures (IP Code)
PN-EN 61010-1	Safety requirements for electrical equipment for measurement, control and laboratory use. General requirements.
PN-82/M-42306	Screwed connectors of pressure gauges.
PN-81/M-42009	Automatics and industrial measurements. The packing, the storage and transport of devices. General requirements.
PN-EN 1092-1:2010	Flanges and their joints - Circular flanges for pipes, valves, fittings and accessories, PN designated - Part 1: Steel flanges.
PN-EN 61508-1:2004	Flanges and their joints – Circular flanges for pipes, valves, fittings and accessories. – Part 1: Steel flanges.
PN-EN 61508-2:2005	Functional safety of electrical/electronic/programmable electronic safety-related systems - Part 2: Requirements for electrical/electronic/programmable electronic safety-related systems.
PN-EN 61508-3:2004	Functional safety of electrical/electronic/programmable electronic safety-related systems -Part 3: Software requirements.
PN-EN 61511-1:2007	Functional safety - Safety instrumented systems for the process industry sector - Part 1: Framework, definitions, system, hardware nad software requirements.
PN-EN 62061:2008	Safety of machinery - Functional safety of electrical, electronic and programmable electric control systems.

15. FIGURES

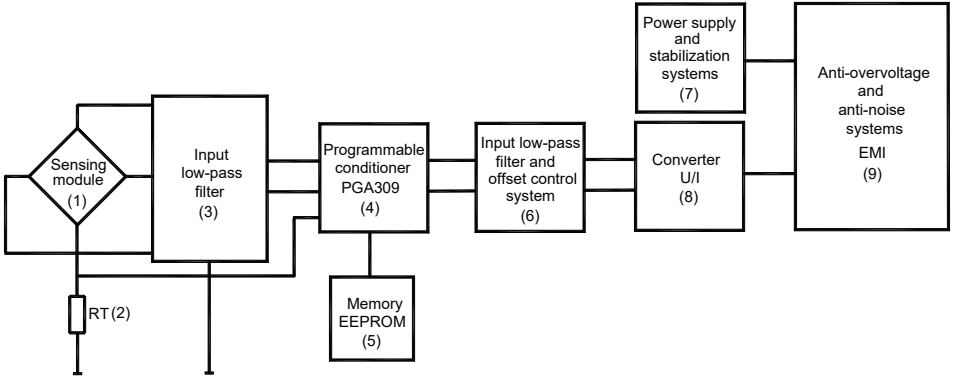


Fig. 1. PCE-28 Safety, PRE-28 Safety series transmitters – block diagram

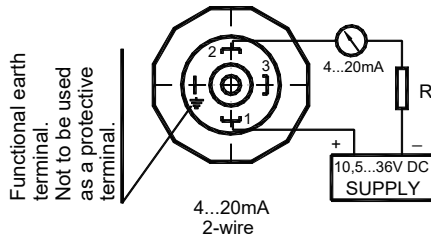


Fig. 2. Wiring diagrams for transmitters with terminal PD (not applicable to Ex version)

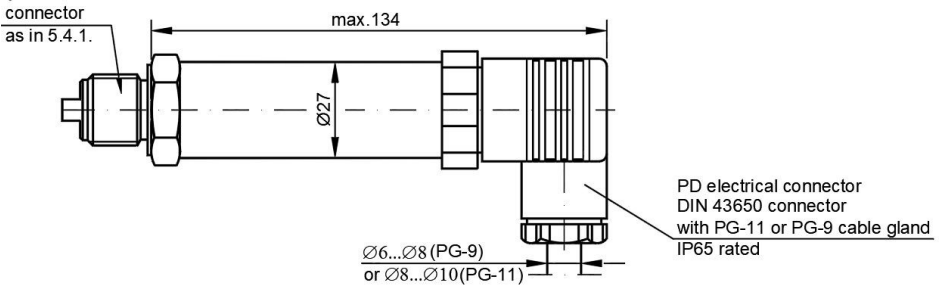


Fig. 3a. PCE-28 Safety, PCE-28 Ex Safety transmitter with PD connector

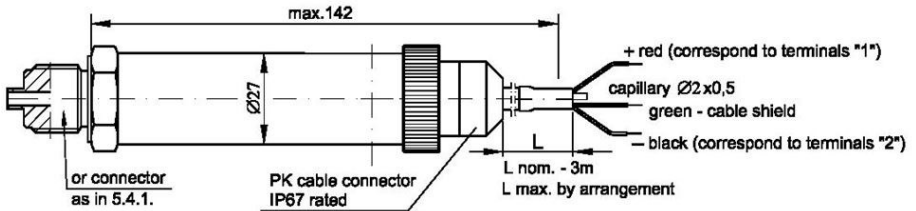


Fig. 3b. PCE-28 Safety, PCE-28 Ex Safety transmitter with PK connector

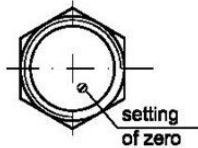


Fig. 3c. View of zero potentiometer

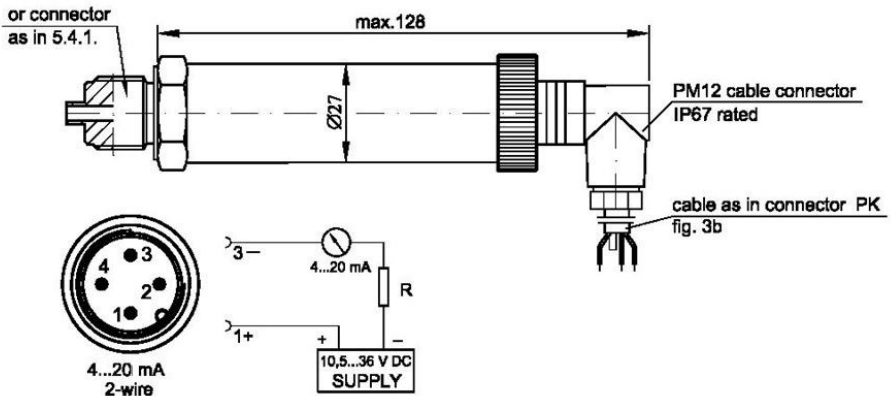
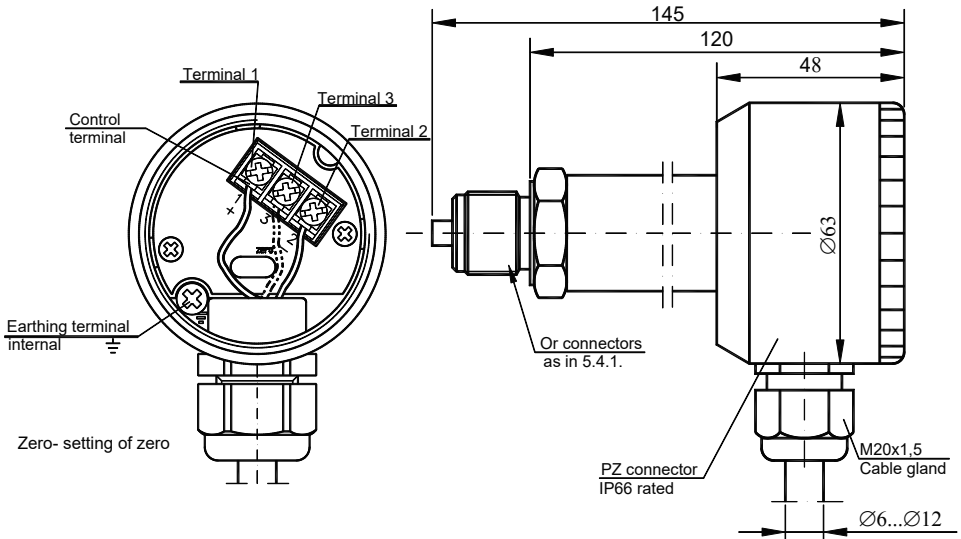


Fig. 3d. PCE-28 Safety transmitter with PM12 connector

Fig. 3. PCE-28 Safety transmitter with PD, PK and PM12 connectors: dimensions and methods of connection



Terminals designation to 4 ... 20mA output signal:

- Terminal 1 - Supply "+" (plus)
- Terminal 2 - Supply "-" (minus)
- Terminal 3 - TEST_SIGNAL

To output current measure in the transmitter without the signalling circuit disconnecting, connect a multimeter to control terminals 1 and 3 (max. voltage fall on the milliammeter: 200mV).

Fig. 4. PCE-28 Safety transmitter with PZ connector: dimensions and connection method

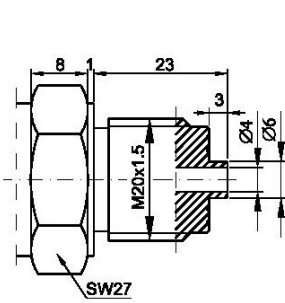


Fig. 5a. M type connector with M20x1.5 thread

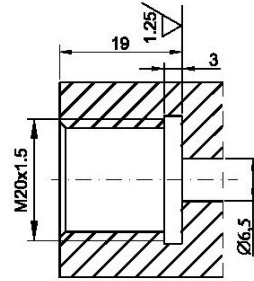


Fig. 5b. Socket for M type connector

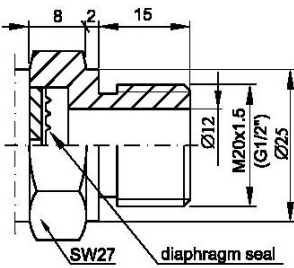


Fig. 6a. P type connector with M20x1.5 thread

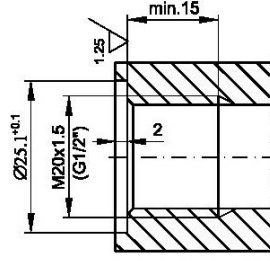


Fig. 6b. Socket for P type connector

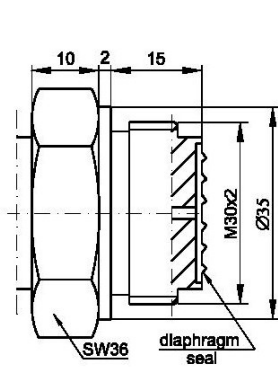


Fig. 7a. CM30x2 type connector with flush diaphragm with M30x2 thread

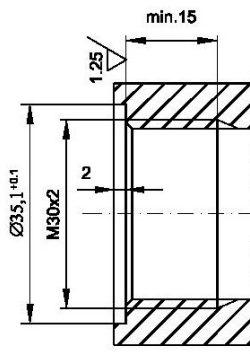


Fig. 7b. Socket for CM30x2 type connector

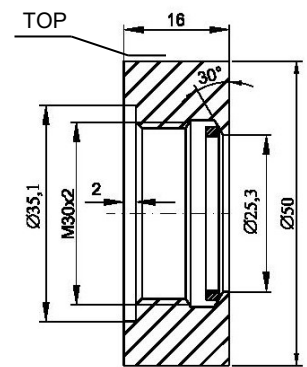


Fig. 7c. Weldable fitting ring for CM30x2 type connector Sealing: Teflon

Order code Socket CM30x2



The ring in Fig. 7c must be welded in place with the word TOP upwards.

Fig. 5. M type connector with M20x1.5 thread

Fig. 6. P type connector with M20x1.5 thread

Fig. 7. CM30x2 type connector with flush diaphragm with M30x2 thread

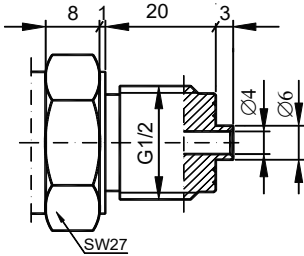


Fig. 8a. G1/2 type connector with G1/2" thread

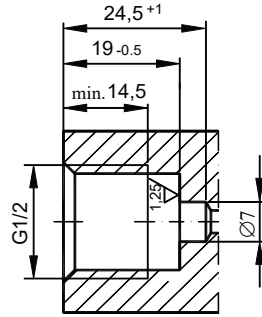


Fig. 8b. Socket for G1/2 type connector

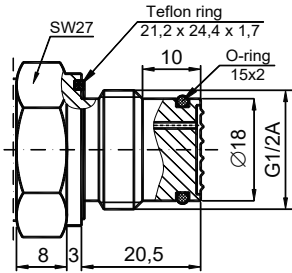


Fig. 8c. CG1/2 type connector with flush diaphragm with G1/2" thread

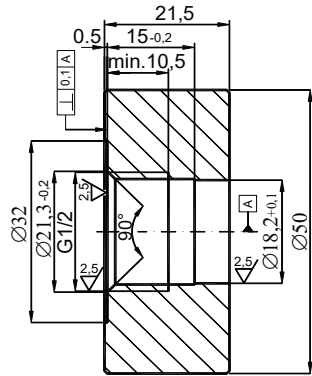


Fig. 8d. Weldable fitting ring for CG1/2 type connector
Order code Socket CG1/2

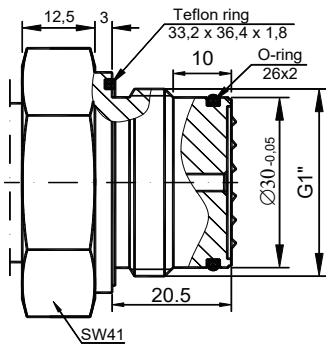


Fig. 8e. CG1 type diaphragm connector with flush diaphragm with G1" thread

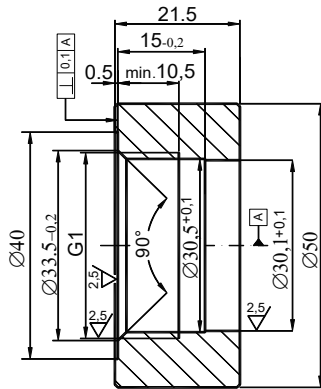


Fig. 8f. Weldable fitting ring for CG1 type connector
Order code Socket CG1

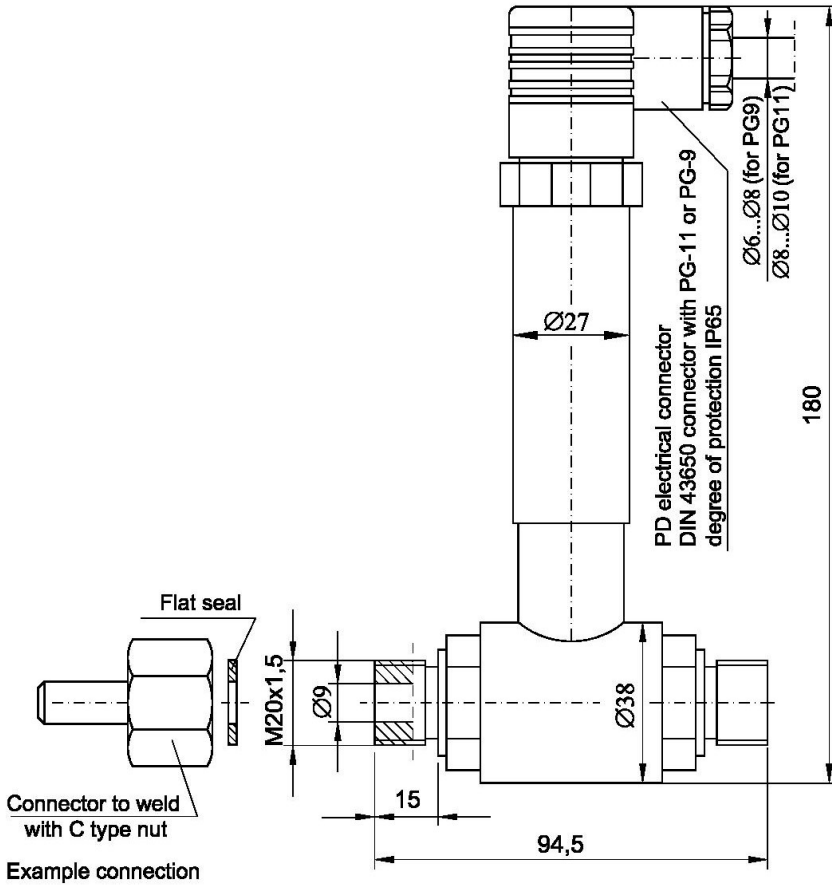


Fig. 9. PRE-28 Safety differential pressure transmitter with PD connector

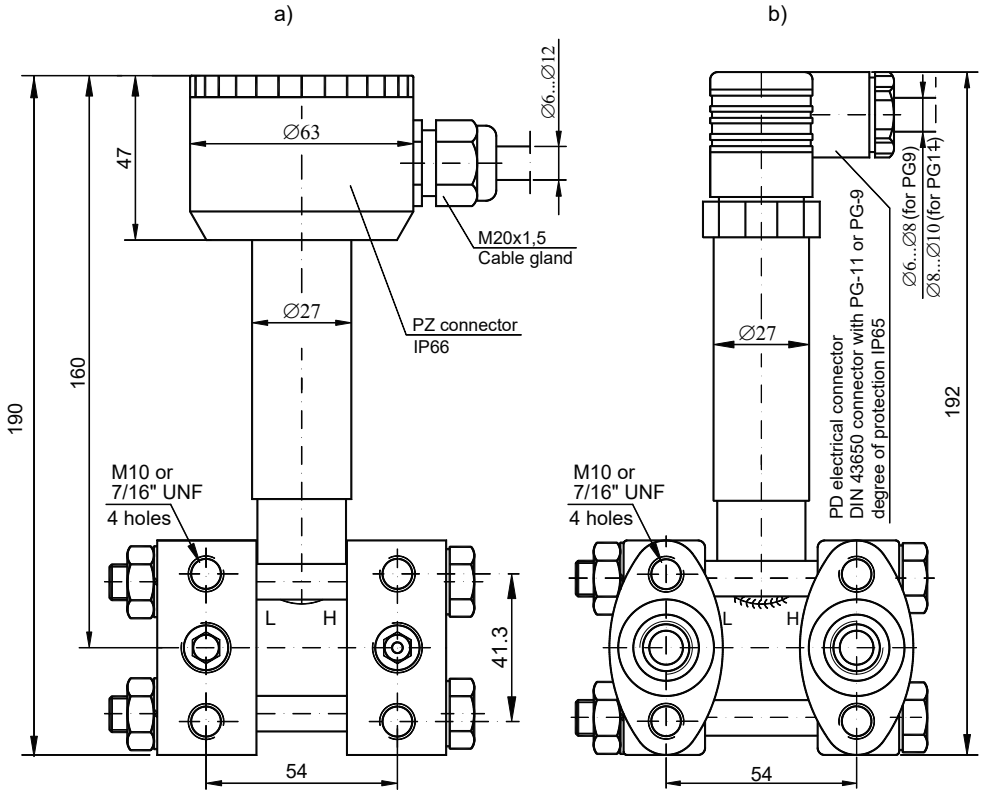


Fig. 10. PRE-28 Safety differential pressure transmitter with C type process connection to be mounted together with valve manifold

- a) PZ type electrical connection
- b) PD type electrical connection

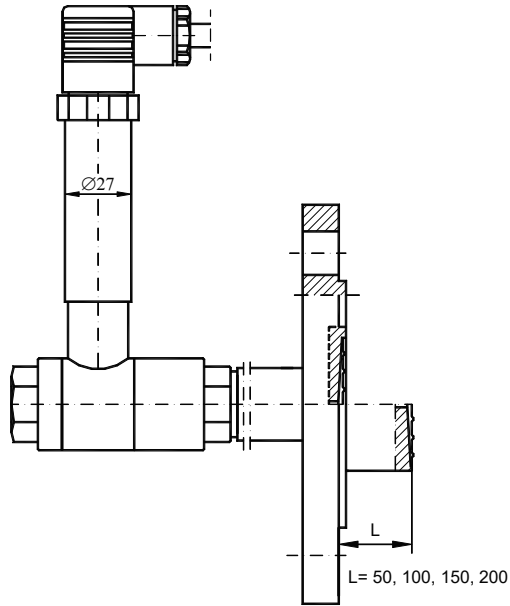


Fig. 11. PRE-28 Safety differential pressure transmitter with a single direct diaphragm seal

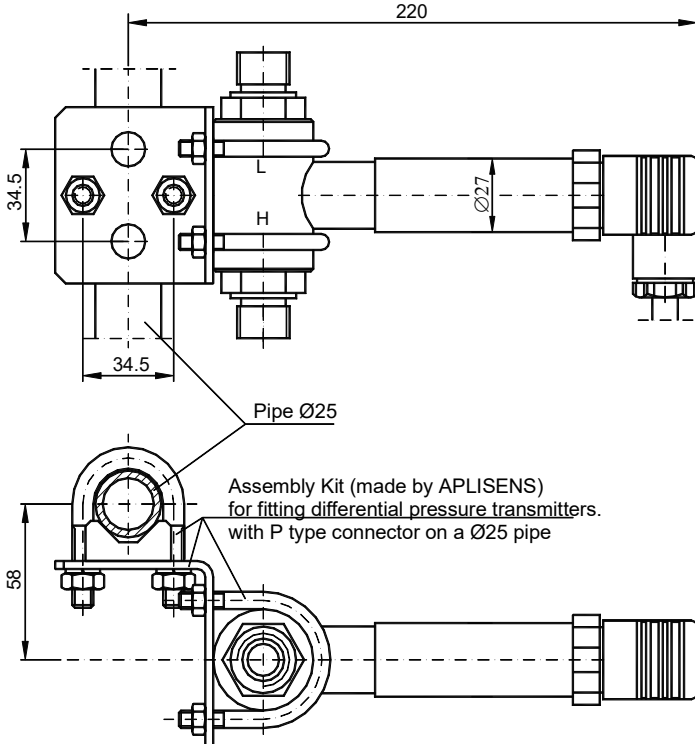


Fig. 12. Example: how to install the PRE-28 Safety differential pressure transmitter

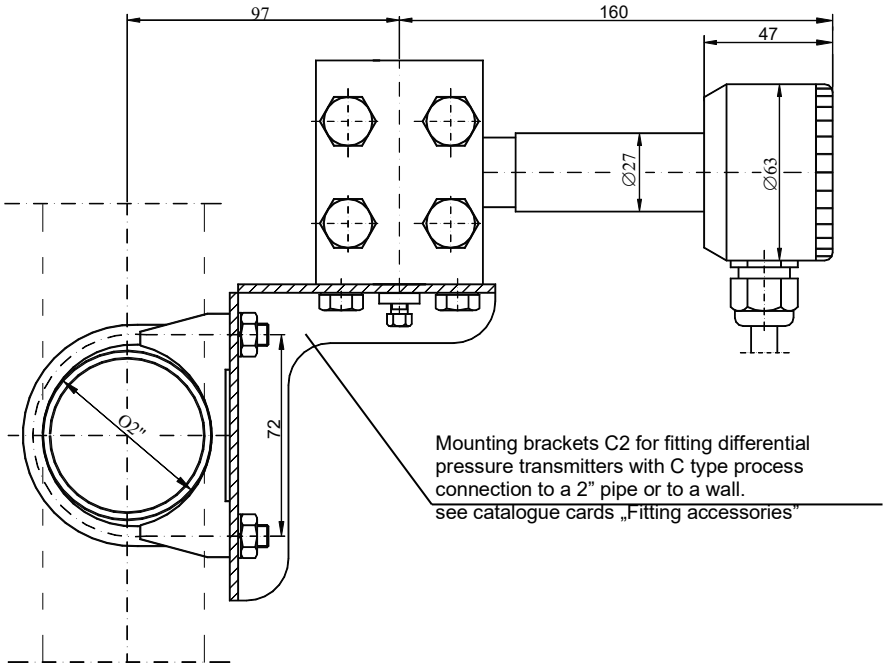


Fig. 13. Example: how to install the PRE-28 Safety transmitter on a vertical or horizontal pipe

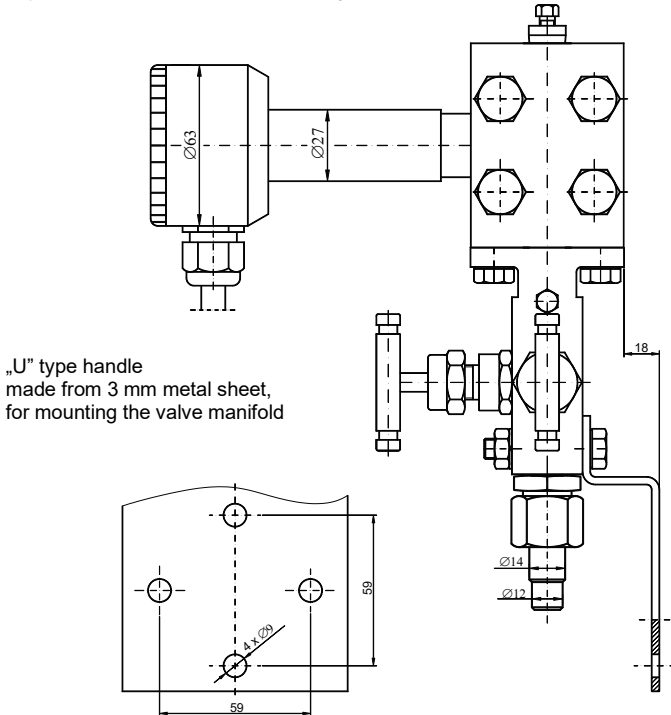


Fig. 14. Example: how to install the PRE-28 Safety transmitter with a valve manifold to a wall

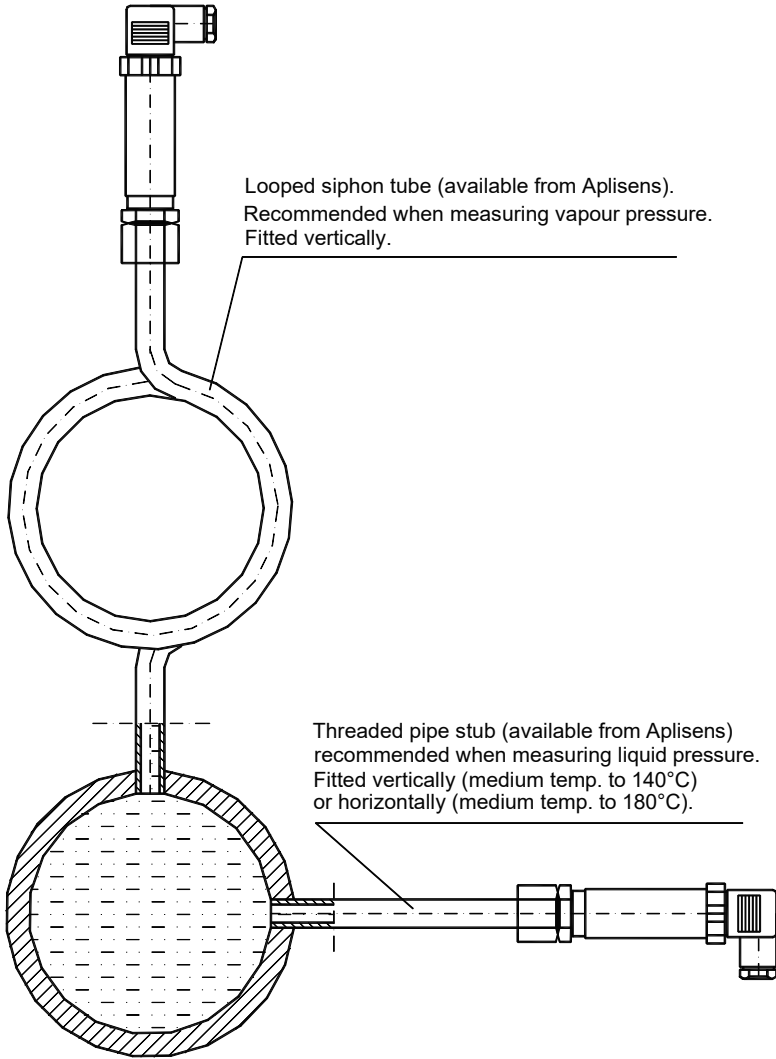


Fig. 15. Possible methods of isolating the transmitter from high temperatures

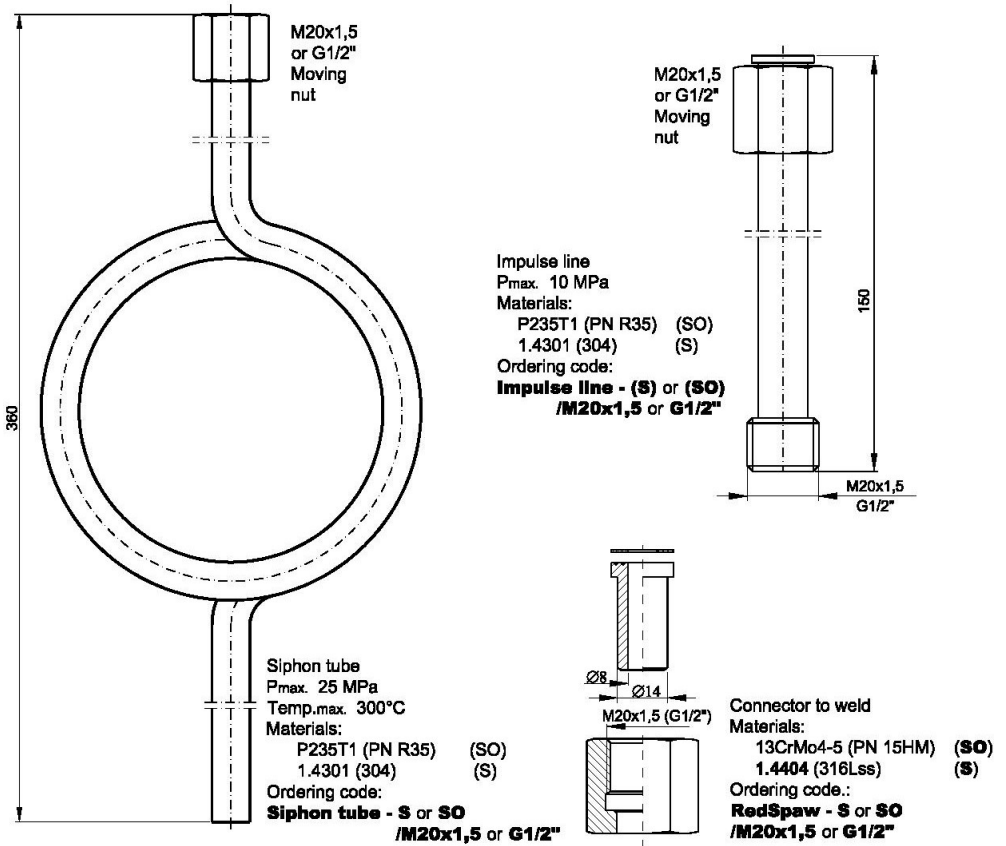


Fig. 16. Additional equipment for fitting of pressure transmitters

